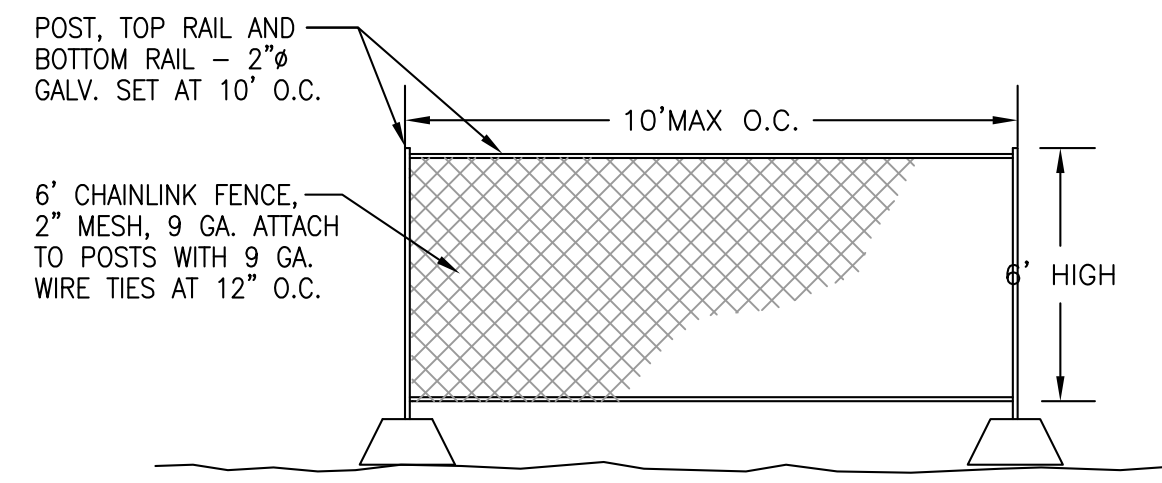


2'
1"
1/2"



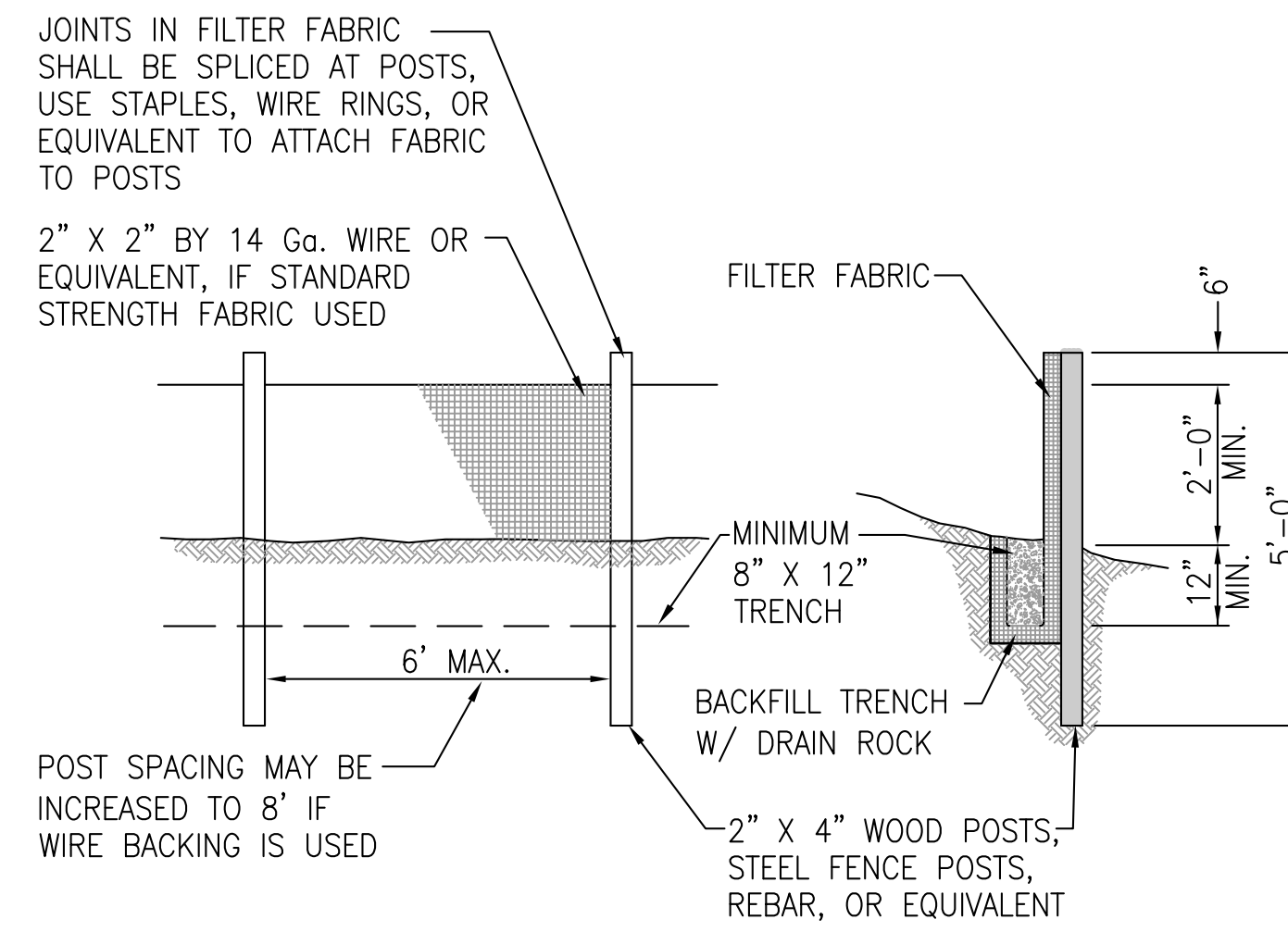
UNDISTURBED AREA CONSTRUCTION AREA

CONCRETE PIER BLOCK OR HEAVY DUTY FENCE PANEL STAND BASE

NOTE:
SECURE PANELS TO ONE ANOTHER VIA MECHANICAL FASTENERS AT THE POSTS. A MINIMUM OF TWO FASTENERS PER SET OF POSTS.

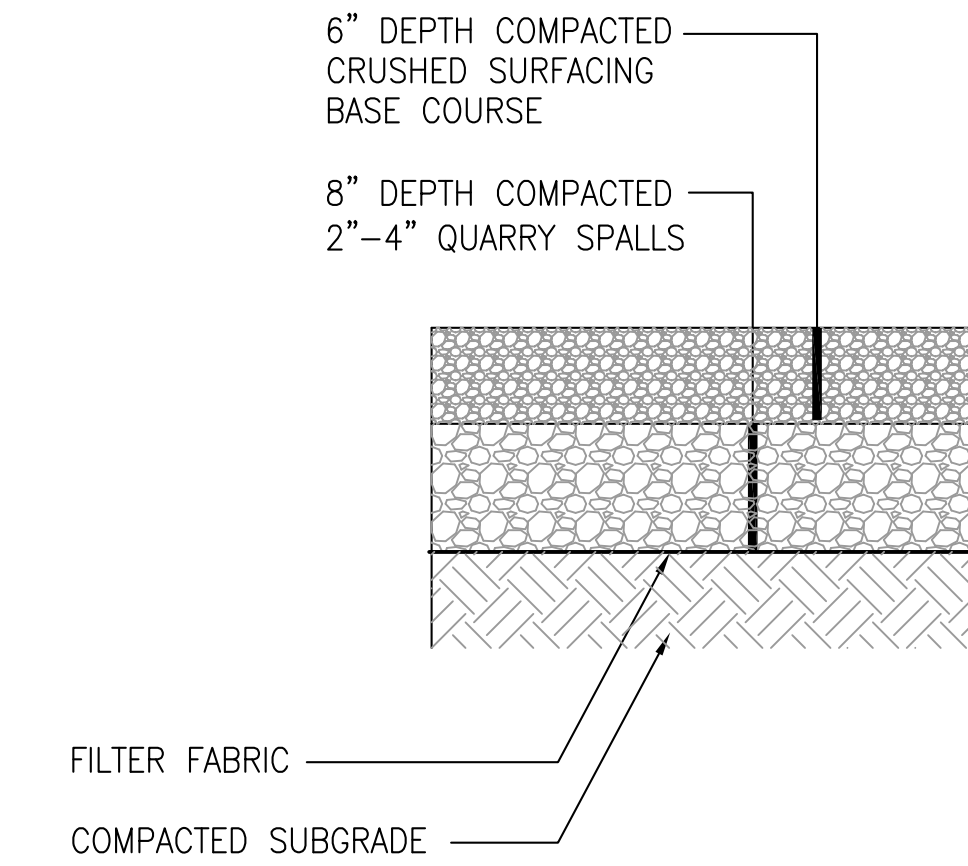
Construction Fence with Posts on Concrete Piers ^{NTS} 1

SECTION 35, T 27 N, R 3E, W.M.



NOTE:
FILTER FABRIC FENCES SHALL BE INSTALLED ALONG CONTOUR WHENEVER POSSIBLE

Filter Fabric Fence ^{NTS} 2



Hall Road ^{NTS} 3

PLEASE CALL
3 Working Days
BEFORE YOU DIG
1-800-424-5555

NOT USED ^{NTS} 4

NOT USED ^{NTS} 5

NOT USED ^{NTS} 6

PFN
100% URBAN CENTER SUBMITTAL 03/04/2011

PERKINS + WILL

1221 Second Avenue
Suite 200
Seattle, WA 98101
T 206.381.6000
F 206.441.4861
www.perkinswill.com

Point Wells Development

BSRE Point Wells, LP

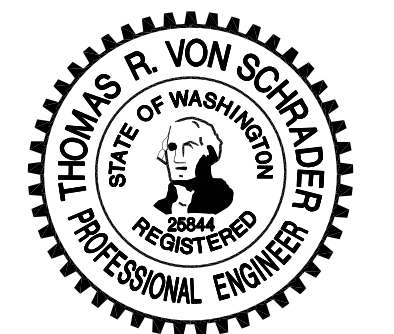
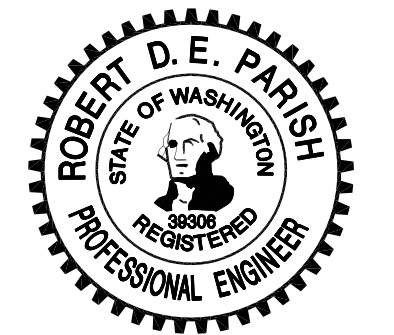
c/o Karr Tuttle Campbell
1201 Third Avenue, Suite 2900
Seattle, Washington 98101

in association with:
CIVIL ENGINEER



Snohomish County Planning & Development Services
APPROVED FOR CONSTRUCTION

By: Randolph R. Sleight, P.E., P.L.S.
R/W Permit No. _____



QA/QC REVIEWER

Revisions

NO.	ISSUE	DATE

Sheet Information

Date 03/04/2011
Job Number 169009.000
Drawn _____
Checked _____
Approved _____

Title

TESC Details

Sheet

C-103

NOT Issued for Construction

Copyright © 2010 Perkins+Will

P:\Mar\03_2011\4-02pm.m... By: jelfz
 File: C:\03\080808\03\03\03\TESC-DETAILS.dwg
 Layers: jelfz