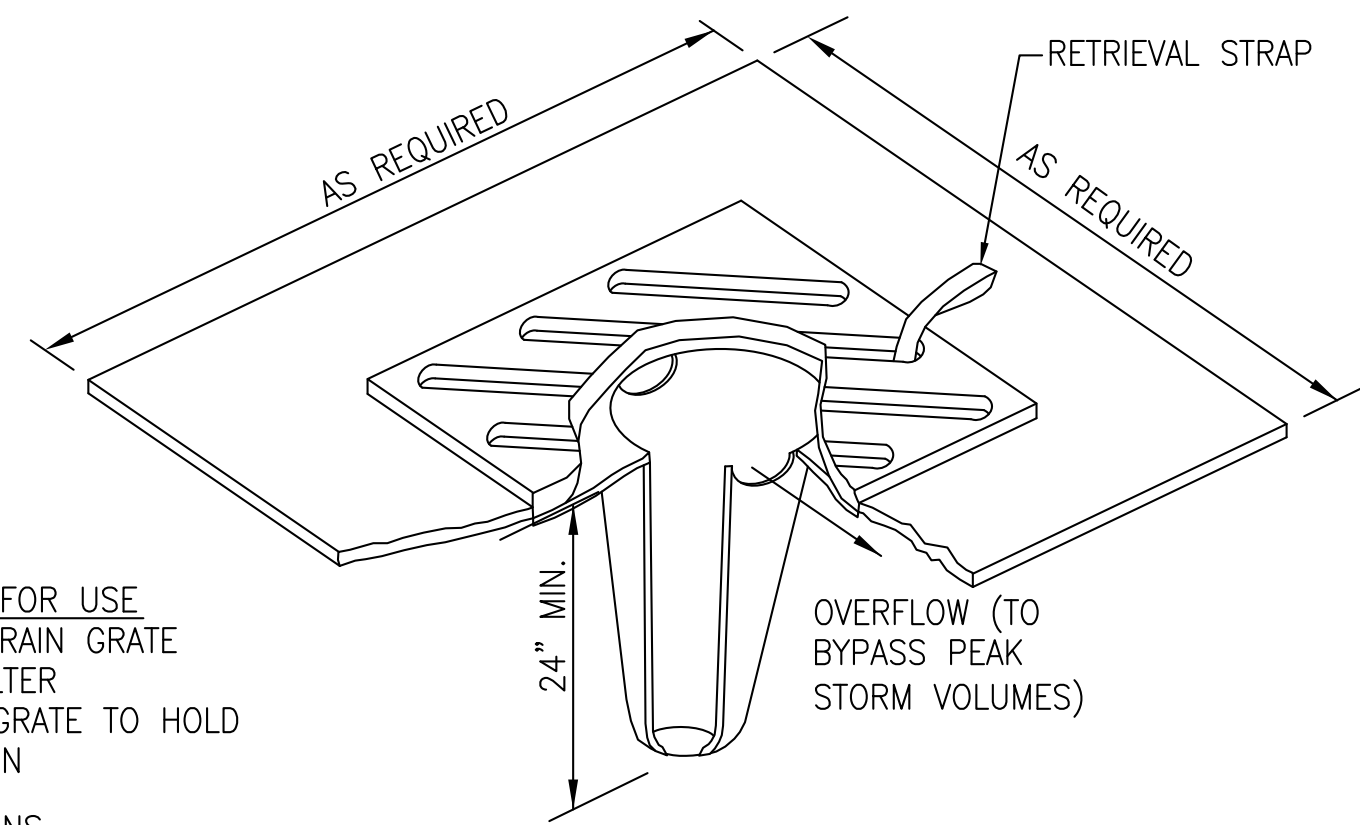




SECTION 35, T 27 N, R 3E, W.M.

NOTES:

1. CONSTRUCT NEW ASPHALT DRIVEWAY PER SNOHOMISH COUNTY ROAD STANDARDS PRIOR TO INSTALLATION OF QUARRY SPALL PAD TO AVOID DAMAGING ROADWAY.
2. QUARRY SPALL PAD SHALL BE CROWNED SO THAT RUN-OFF DRAINS OFF THE PAD AND INTO TESC TREATMENT SYSTEM.
3. STABILIZED ROCK CONSTRUCTION ENTRANCE SHALL BE MAINTAINED PER DOE 2005 BMP C105 PER THE PROJECT SWPPP.



DIRECTIONS FOR USE

- REMOVE DRAIN GRATE
- INSERT FILTER
- REPLACE GRATE TO HOLD IN POSITION

SPECIFICATIONS

- FILTERS MINIMUM 24" DEEP
- CONSTRUCTED OF POLYPROPYLENE
- ALL SEAMS DOUBLE-STITCHED
- WATER FLOW RATE - 100 GALLONS PER MINUTE PER SQUARE FOOT
- REUSABLE OR THROW-AWAY

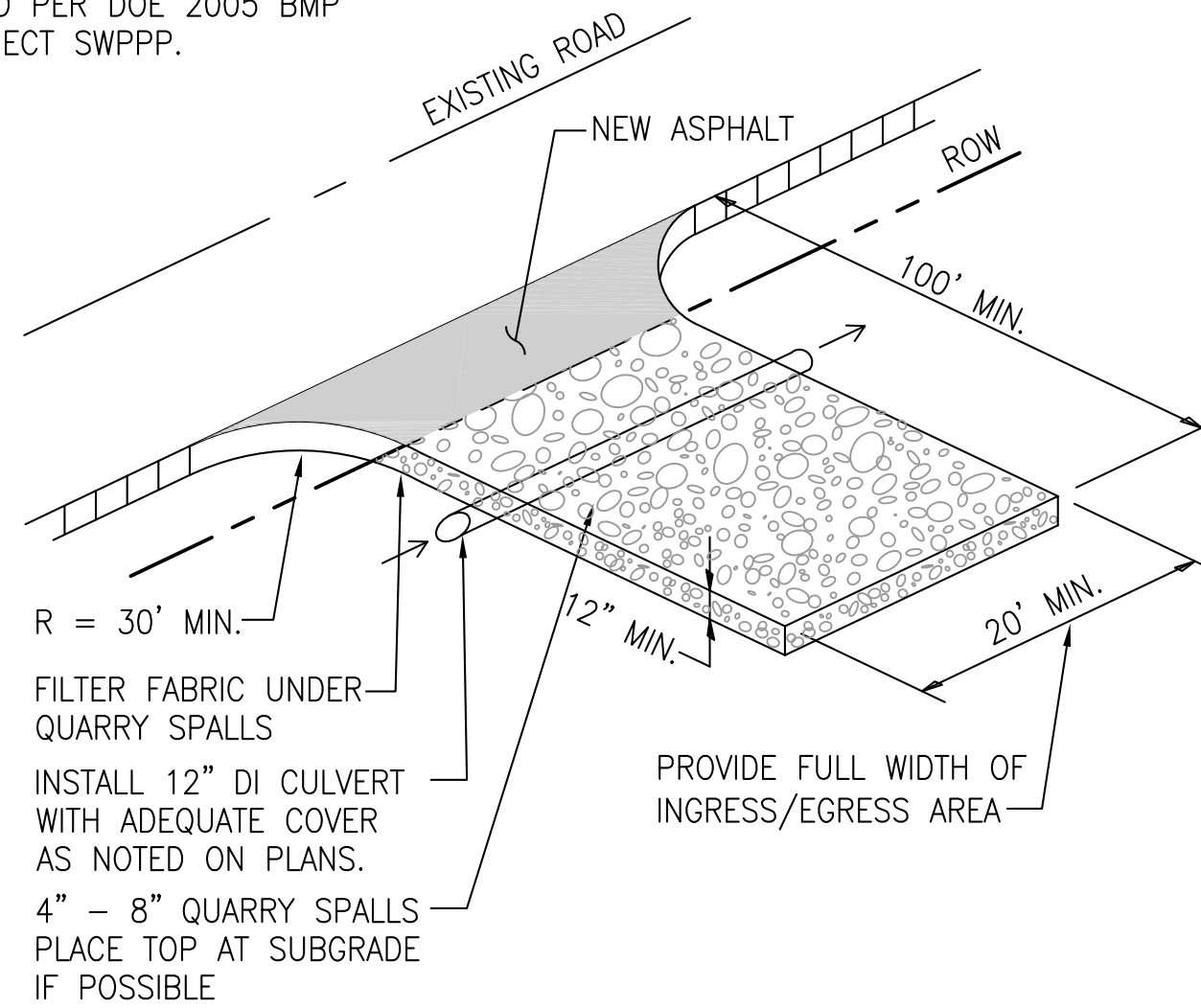
MAINTENANCE

- REMOVE WHEN FILLED TO HALF-WAY MARK (USE FRONT LOADER OR OTHER EQUIPMENT FOR REMOVAL)
- CLEAN AND RE-USE, OR REPLACE

NOTES:

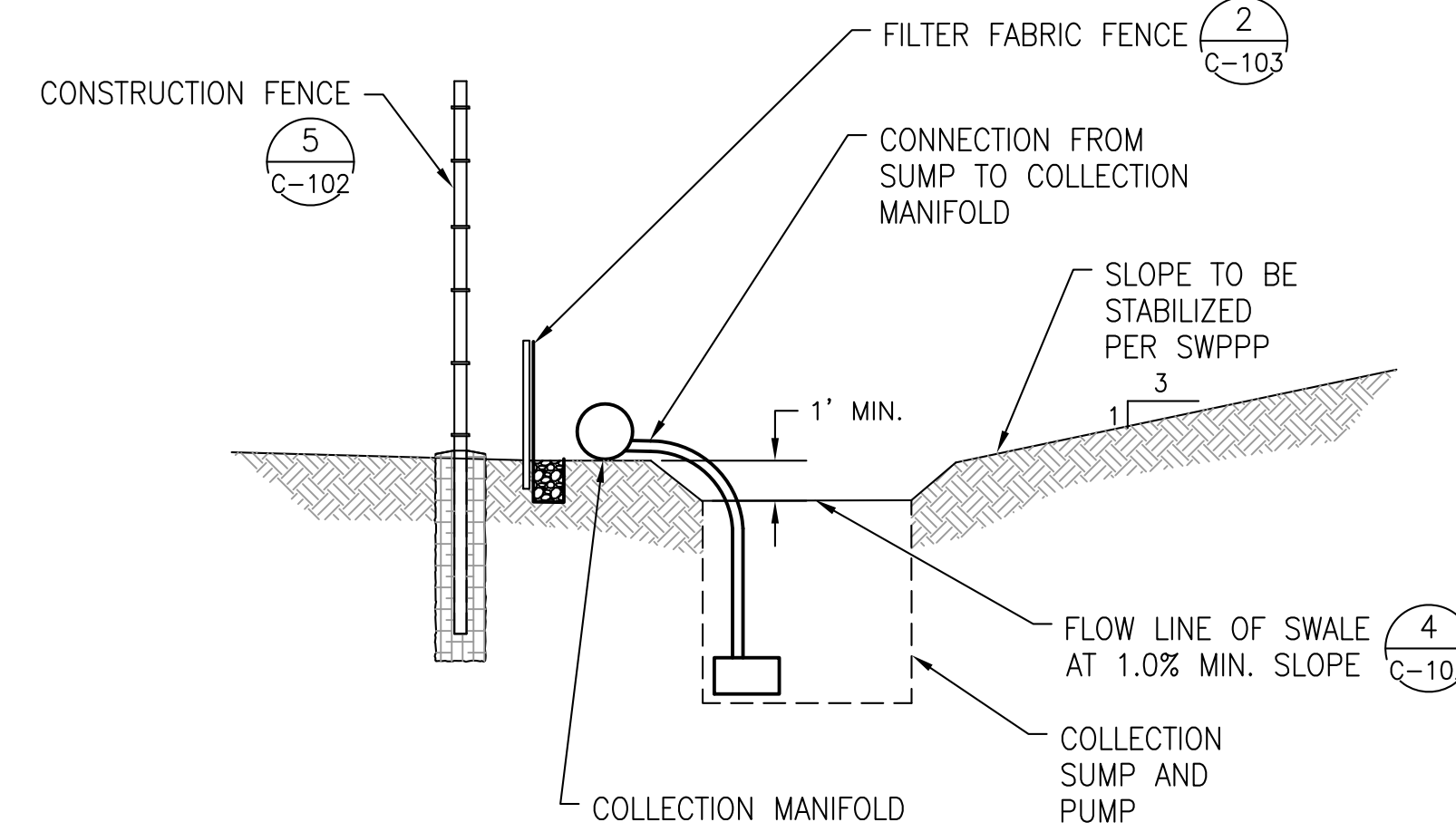
1. MAINTENANCE OF BMP SHALL BE PER THE PROJECT SWPPP.

Catch Basin Protection NTS 1



INSTALL 12" DI CULVERT WITH ADEQUATE COVER AS NOTED ON PLANS.
4" - 8" QUARRY SPALLS PLACE TOP AT SUBGRADE IF POSSIBLE

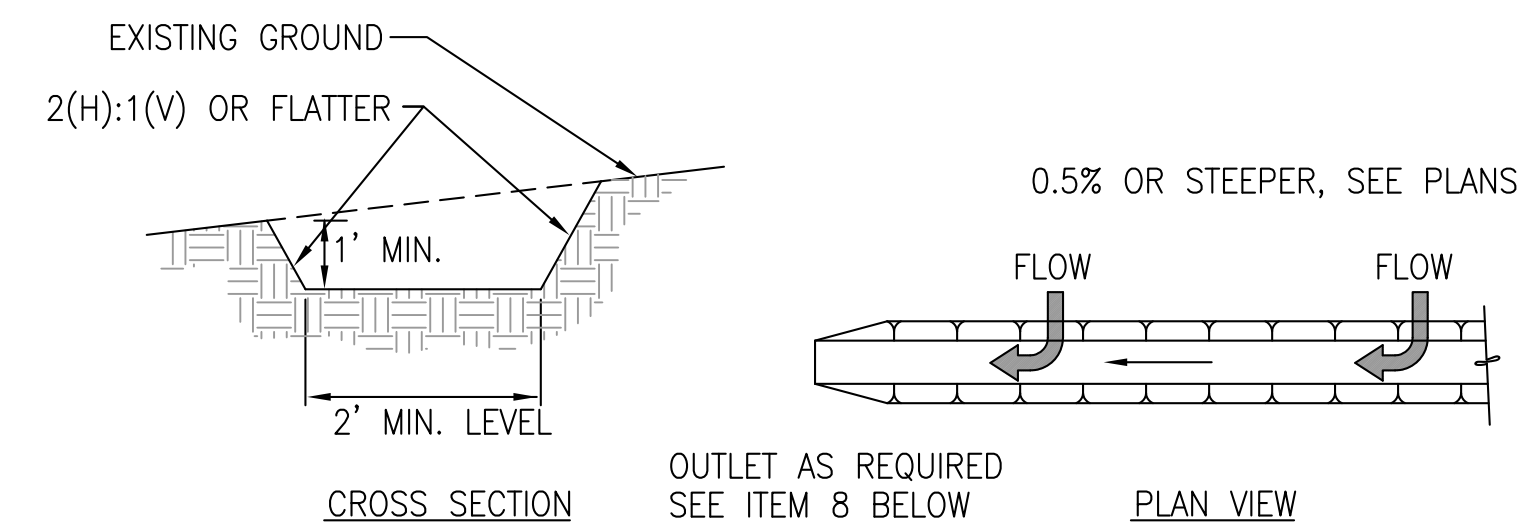
Stabilized Rock Construction Entrance NTS 2



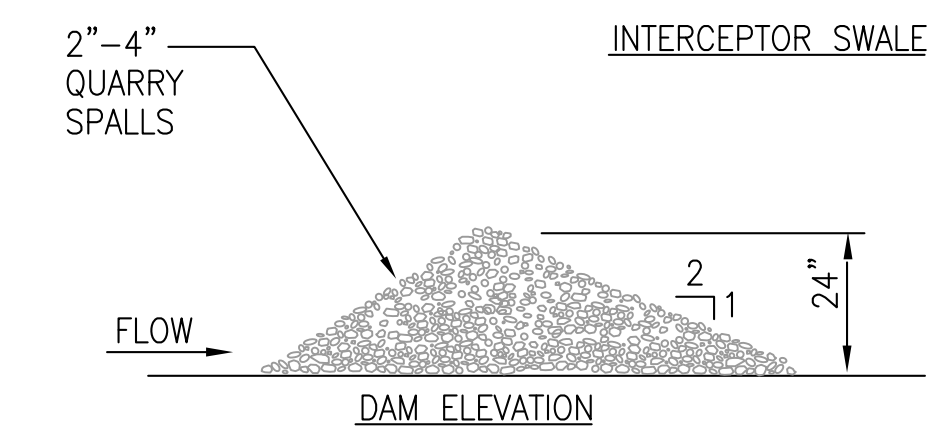
NOTES:

1. MAINTENANCE OF BMP SHALL BE PER THE PROJECT SWPPP.

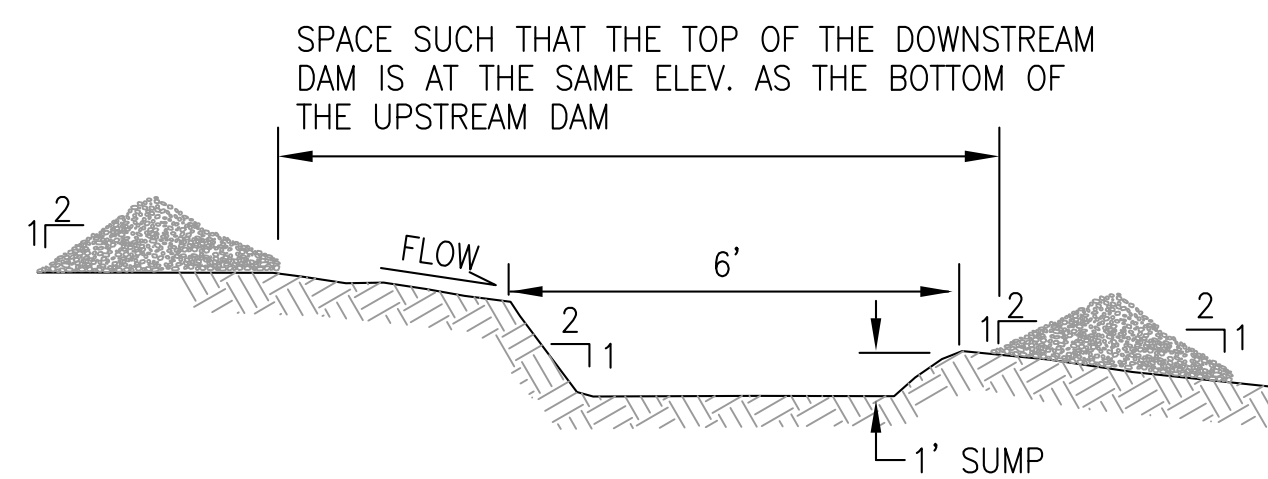
Interceptor Swale and Collection Sump NTS 3



INTERCEPTOR SWALE



DAM ELEVATION



UPSTREAM SUMP

ROCK CHECK DAM

NOTES:

1. ALL TEMPORARY SWALES SHALL HAVE UNINTERRUPTED POSITIVE GRADE.
2. DIVERTED RUNOFF FROM A DISTURBED AREA SHALL BE CONVEYED TO A SEDIMENT TRAPPING DEVICE.
3. DIVERTED RUNOFF FROM AN UNDISTURBED AREA SHALL OUTLET DIRECTLY INTO AN UNDISTURBED STABILIZED AREA AT NON-EROSIVE VELOCITY.
4. ALL TREES, BRUSH, STUMPS, OBSTRUCTIONS, AND OTHER OBJECTIONABLE MATERIAL SHALL BE REMOVED AND DISPOSED OF SO AS NOT TO INTERFERE WITH THE PROPER FUNCTIONING OF THE SWALE.
5. THE SWALE SHALL BE EXCAVATED OR SHAPED TO LINE, GRADE, AND CROSS SECTION AS REQUIRED TO MEET THE CRITERIA SPECIFIED HEREIN AND BE FREE OF BANK PROJECTIONS OR OTHER IRREGULARITIES WHICH WILL IMPEDE NORMAL FLOW.
6. FILLS SHALL BE COMPACTED BY EARTH MOVING EQUIPMENT.
7. ALL EARTH REMOVED AND NOT NEEDED ON CONSTRUCTION SHALL BE PLACED SO THAT IT WILL NOT INTERFERE WITH THE FUNCTIONING OF THE SWALE.
8. STABILIZATION SHALL BE AS PER THE CHART:

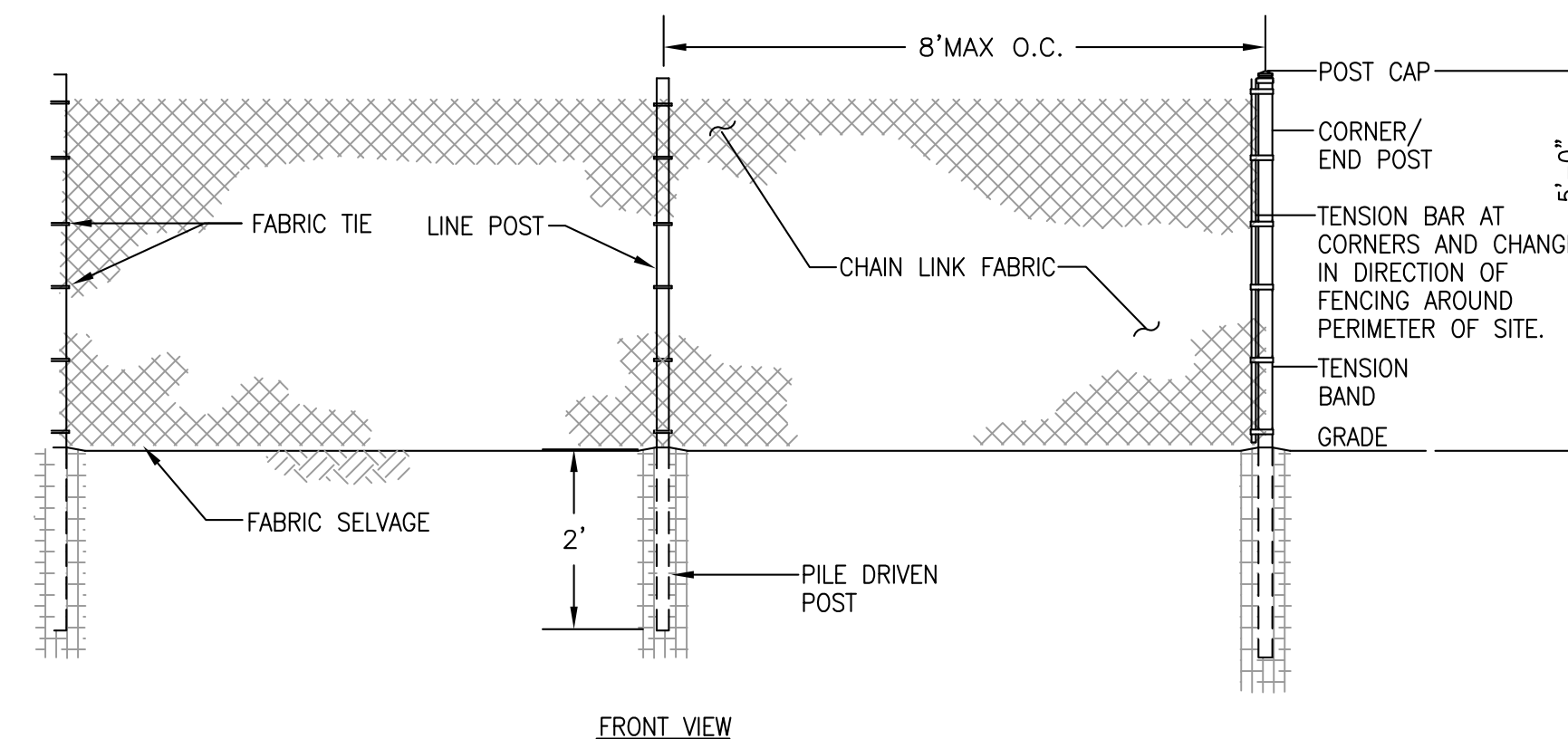
REQUIRED FLOW CHANNEL STABILIZATION

TYPE OF TREATMENT	CHANNEL GRADE	A (5 AC OR LESS)
1.	0.5-3.0%	SEED AND STRAW MULCH
2.	3.1-5.0%	SEED AND STRAW MULCH

NOTES:

1. CHECK DAMS SHALL BE CONSTRUCTED OF ROCK AND SHALL BE PROVIDED WITH A 1' DEEP SUMP IMMEDIATELY UPSTREAM.
2. THE SPACING BETWEEN THE ROCK DAMS SHALL BE PER THE PLANS, ADJUSTED IN THE FIELD TO MEET THE REQUIREMENTS OF THIS DETAIL.
3. ROCK CHECK DAMS SHALL BE CONSTRUCTED OF QUARRY SPALLS, 4" MINUS. THE ROCK MUST BE PLACED BY HAND OR MECHANICAL PLACEMENT (NO DUMPING OF ROCK TO FORM DAM) TO ACHIEVE COMPLETE COVERAGE OF THE DITCH OR SWALE AND TO ENSURE THAT THE CENTER OF THE DAM IS LOWER THAN THE EDGES.
4. MAINTENANCE OF BMP SHALL BE PER THE PROJECT SWPPP.

Interceptor Swale with Rock Check Dam NTS 4



Construction Fence With Pile Driven Posts NTS 5

PLEASE CALL
3 Working Days
BEFORE YOU DIG
1-800-424-5555

Mar 03, 2011 - 4:02pm
C:\pwp\09038c_PWP\Current_UC\pwp_c-102-tesc-detail.dwg
jefz

PERKINS + WILL

1221 Second Avenue
Suite 200
Seattle, WA 98101
T 206.381.6000
F 206.441.4861
www.perkinswill.com

Point Wells Development

BSRE Point Wells, LP

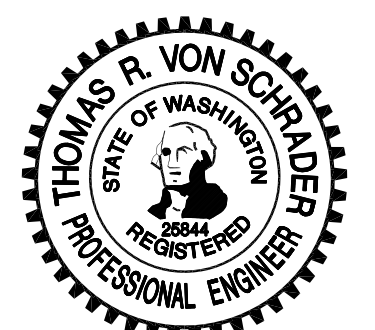
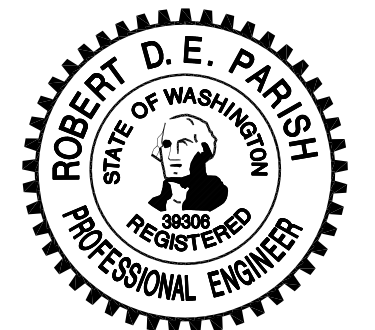
c/o Karr Tuttle Campbell
1201 Third Avenue, Suite 2900
Seattle, Washington 98101

in association with:
CIVIL ENGINEER

SvR DESIGN COMPANY
1205 SECOND AVE. SUITE 200
SEATTLE, WA 98101
T 206.223.0326
F 206.223.0125
www.svrdesign.com

Snohomish County Planning & Development Services
APPROVED FOR CONSTRUCTION

By: Randolph R. Sleight, P.E., P.L.S.
R/N Permit No. _____



QA/QC REVIEWER

Revisions

NO.	ISSUE	DATE

Sheet Information

Date	03/04/2011
Job Number	169009.000
Drawn	
Checked	
Approved	

Title

TESC Details

Sheet

C-102

NOT Issued for Construction

Copyright © 2010 Perkins+Will

PFN
100% URBAN CENTER SUBMITTAL 03/04/2011