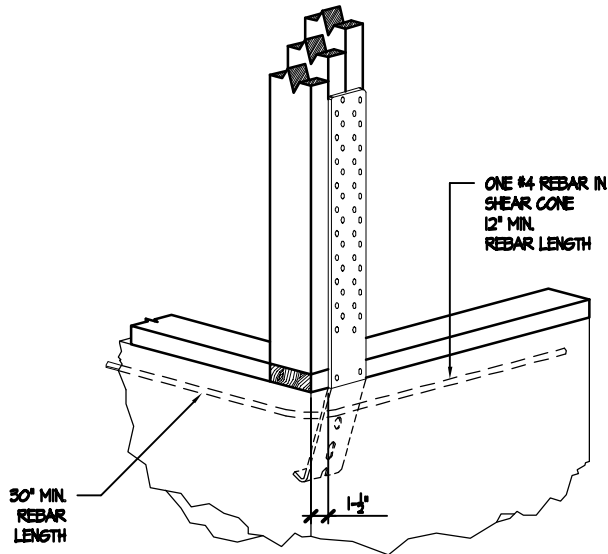
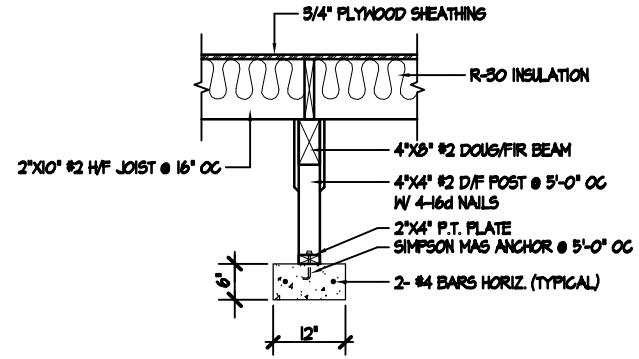


4 FOOTING AT GARAGE SLAB
 A-6 SCALE: 3/4" = 1'-0"

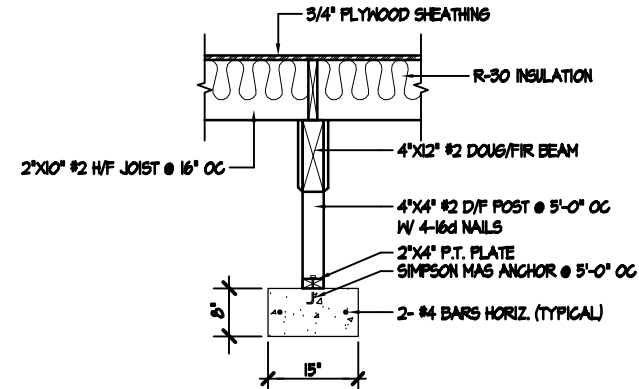


5 DETAIL AT HOLD-DOWN STDIO
 A-6 SCALE: NTS

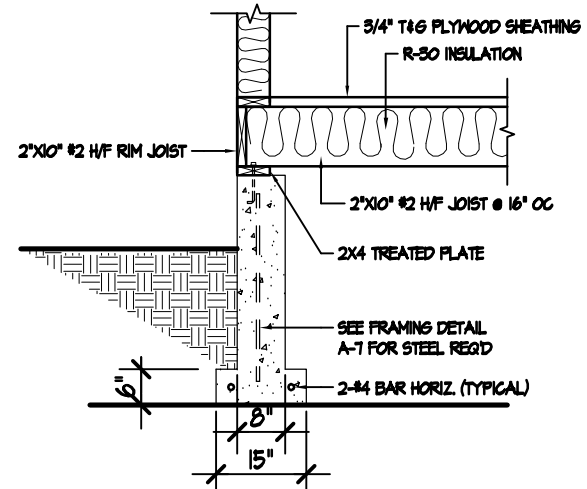
FOR ILLUSTRATION PURPOSES ONLY



3 FOOTING AT GARAGE SLAB
 A-6 SCALE: 3/4" = 1'-0"



2 FOOTING AT GARAGE SLAB
 A-6 SCALE: 3/4" = 1'-0"



1 SECTION DETAIL AT PORCH
 A-7 SCALE: 3/4" = 1'-0"